



AUTOTROL® 363 DEMAND AUTOMATIC FILTER VALVE SERVICE MANUAL



TABLE OF CONTENTS

MANUAL OVERVIEW	2
SAFETY INFORMATION	2
TYPICAL TOOLS AND FITTINGS REQUIRED	3
VALVE DIMENSIONS	3
VALVE LAYOUT	4
SPECIFICATIONS	4
EQUIPMENT INSTALLATION.....	4
SYSTEM STARTUP.....	6
INSTALLATION CHECKLIST.....	6
CONTROL OPERATION AND LAYOUT	6
PROGRAMMING THE 606F DEMAND CONTROL.....	7
REMOTE REGENERATION	8
VALVE ASSEMBLY	9
TROUBLESHOOTING.....	10
FLOW DIAGRAMS.....	11
FLOW PERFORMANCE DATA CHARTS	12

MANUAL OVERVIEW

How To Use This Manual

This manual is designed to guide the installer through the process of installing and starting the filter.

This manual is a reference and will not include every system installation situation. The person installing this equipment should have:

- Knowledge in water filter installation
- Basic plumbing skills

Icons That Appear In This Manual

⚠ WARNING: Failure to follow this instruction can result in personal injury or damage to the equipment.

NOTE: This will make the process easier if followed.

Inspection

Inspect the unit for damage or missing parts.

SAFETY INFORMATION

Electrical

- There are no user-serviceable parts in the AC adapter, motor, or controller. In the event of a failure, these should be replaced.
- All electrical connections must be completed according to local codes.
- Use only the power AC adapter that is supplied.
- The power outlet must be grounded and always on.
- To disconnect power, unplug the AC adapter from its power source.
- Install an appropriate grounding strap across the inlet and outlet piping of the water system to ensure proper grounding is maintained.

Mechanical

- Do not use petroleum-based lubricants such as petroleum jelly, oils, or hydrocarbon-based lubricants. Use only 100% silicone lubricants.
- All plastic connections should be hand tightened. Plumber tape should be used on connections that do not use an O-ring seal. Do not use pliers or pipe wrenches.
- All plumbing must be completed according to local codes.
- Soldering of the plumbing should be done before connecting to the valve. Excessive heat will cause interior damage to the valve.
- Observe local drain line requirements.
- Do not use lead-based solder for sweat solder connections.
- Do not support the weight of the system on the control valve fittings, plumbing, or the bypass.
- It is not recommended to use sealants on the threads. Use plumber tape (PTFE) on all threads.

General

- Observe all warnings that appear in this manual.
- This system is not intended to be used for treating water that is microbiologically unsafe or of unknown quality without adequate disinfection before or after the system.
- Keep the unit in the upright position. Do not turn on side, upside down, or drop. Turning the tank upside down will cause media to enter the valve.
- Operating ambient temperature is between 34°F (1°C) and 120°F (49°C).
- Operating water temperature is between 34°F (1°C) and 100°F (38°C).
- Working water pressure range is 20 to 125 psi (1.38 to 8.61 bar).
- Follow state and local codes for water testing.
- When filling media tank, do not open water valve completely. Fill tank slowly to prevent media from exiting the tank.
- Always make modifications to house plumbing first. Connect to valve last.
- Plastic parts and O-rings may be damaged by heat and solvents. When constructing plumbing connections, allow heated parts to cool and protect parts from solvents.

Location Selection

Location of a water treatment system is important. The following conditions are required:

- Level platform or floor.
- Constant electrical supply to operate the controller.
- Total minimum pipe run to water heater of ten feet (three meters) to prevent backup of hot water into system.
- Local drain or tub for discharge as close as possible.
- Water line connections with shutoff or bypass valves.
- Room to access equipment for maintenance.

SAFETY INFORMATION *CONTINUED*

Outdoor Locations

It is recommended that the equipment be installed indoors. When the water conditioning system must be installed outdoors, several items must be considered.

- Moisture — The valve and controller are rated for NEMA 3 locations. Falling water should not affect performance. The system is not designed to withstand extreme humidity or water spray from below. Examples are: constant heavy mist, near corrosive environment, upwards spray from sprinkler.
- Direct Sunlight — The materials used will fade or discolor over time in direct sunlight. The integrity of the materials will not degrade to cause system failures.
- Temperature — Extreme hot or cold temperatures may cause damage to the valve or controller. Freezing temperatures will freeze the water in the valve. This will cause physical damage to the internal parts as well as the plumbing.
- Insects — The controller and valve have been designed to keep all but the smallest insects out of the critical areas.

TYPICAL TOOLS AND FITTINGS REQUIRED

- Pipe Cutter
- Tubing Cutter
- File
- Pliers
- Tape Measure
- Soldering Tools
- Lead Free Solder
- Bucket
- Towel
- Plumber Tape
- Adjustable Wrench
- Tube 100% Silicone Grease

VALVE DIMENSIONS

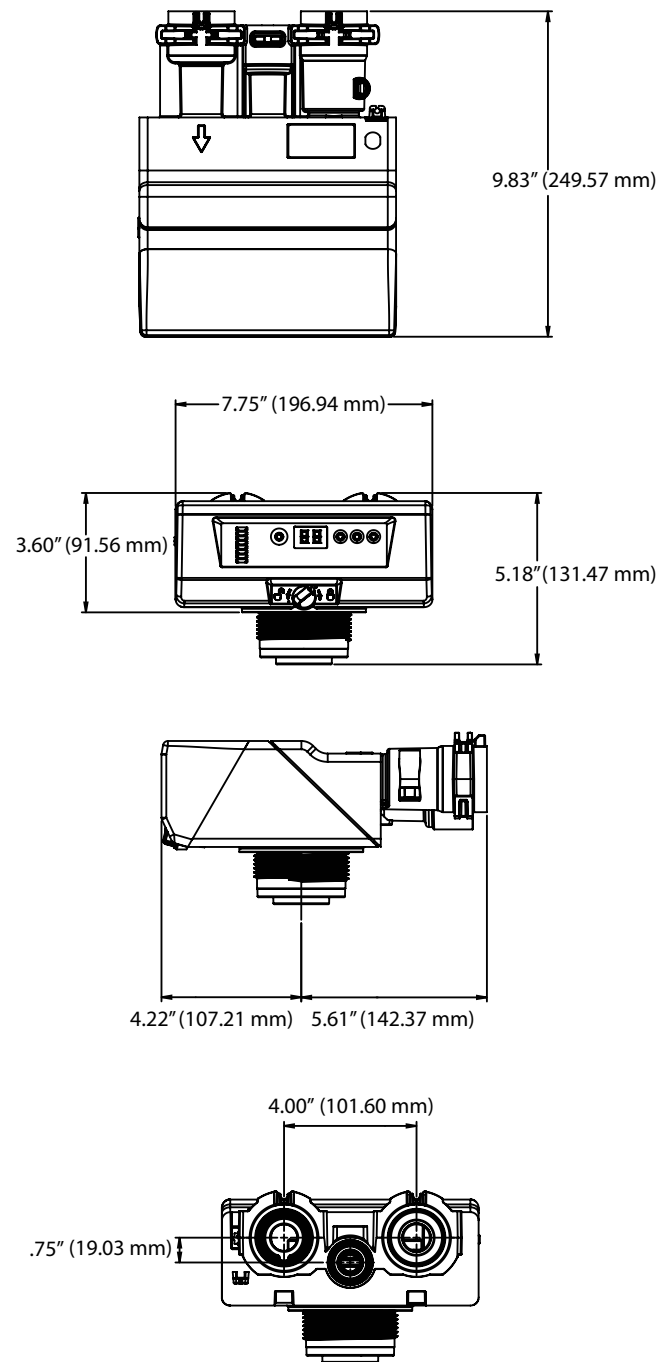


Figure 1

VALVE LAYOUT

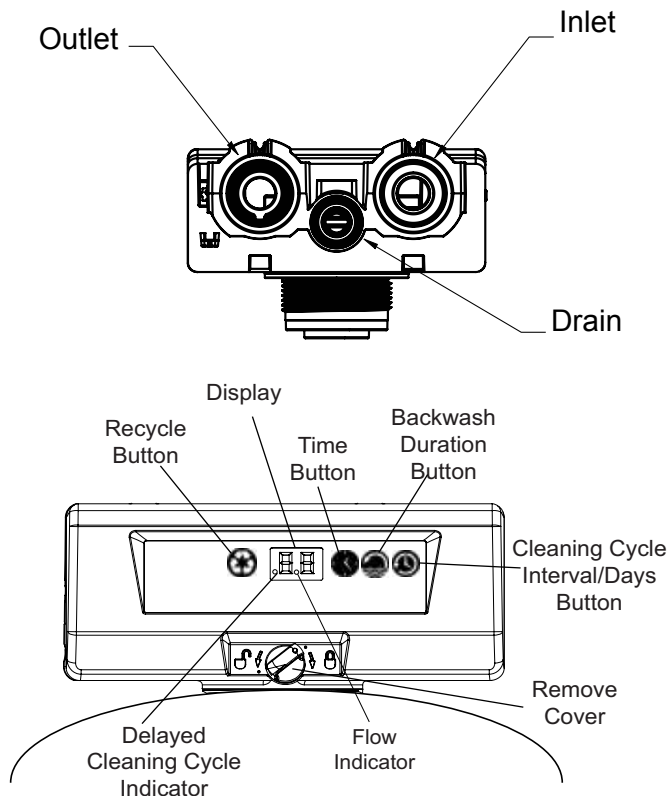


Figure 2

SPECIFICATIONS

Flow Rates (Valve Only)

Service @ 15 psi	21 gpm (79 lpm) full flow
Backwash @ 25 psi.....	19 gpm (72 lpm) full flow
Fast Rinse @ 25 psi	5 gpm (19 lpm)

Valve Connections

Tank Thread	2-1/2 inches (63.5 mm) – 8, male
Inlet/Outlet Thread	3/4 inch (19.05 mm) BSP, male
.....	3/4 inch (19.05 mm) NPT, male
.....	1 inch (22.5 mm) BSP, male
.....	1 inch (22.5 mm) NPT, male
.....	1-1/4 inch (31.75 mm) BSP, male
.....	1-1/4 inch (31.75 mm) NPT, male
.....	1-1/2 inch (38.1 mm) BSP, male
.....	1-1/2 inch (38.1 mm) NPT, male
Drain Line.....	1 inch (22.5 mm) BSP, male
.....	1 inch (22.5 mm) NPT, male
Distributor Tube Diameter.....	1.050 inch (27 mm)
Distributor Tube Length...	Flush to top of tank ± 1/2 inch (13 mm)

Design Specifications

Valve Body	Glass-filled Noryl®
Rubber Components.....	Compounded for cold water
Operating Pressure.....	20-125 psi (1.38–8.61 bar)
Water Temperature.....	34-100°F (1-38°C)
Ambient Temperature*	34-120°F (1-49°C)

* Recommended for indoor use only

Drain Line Flow Controls

1" (22.5 mm)	8-20 gpm (30-76 lpm)
3/4" (1.9 cm)	4-7 gpm (15-29 lpm)

4 • Autotrol® 363 Demand Automatic Filter Valve

EQUIPMENT INSTALLATION

If you are also installing a water softener, the softener should be installed downstream of this system.

Grounding the Plumbing

It is important that the plumbing system be electrically grounded. When a water treatment system is installed a nonmetallic bypass valve may interrupt the grounding. To maintain continuity, a grounding strap can be purchased at a hardware store. When it is installed the strap will connect the plumbing into the system to the plumbing leaving the system.

Water Line and Bypass Connection

Once you have selected your location check the direction of the water flow in the main pipe.

A bypass valve system should be installed on all water conditioning systems. The bypass valve system isolates the filter from the water supply and provides untreated water to service during routine maintenance and servicing procedures.

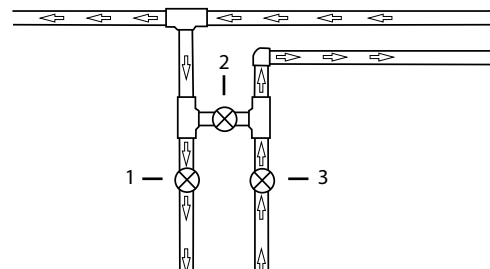


Figure 3

Normal Operation

- Valves 1 and 3 open
- Valve 2 closed

Bypassed Position

- Valve 2 open
- Valves 1 and 3 closed

The valve connects to the water system by means of a connector assembly. The connector is secured to the plumbing and then inserted into the universal ports on the valve. A clip is used to hold it in place.

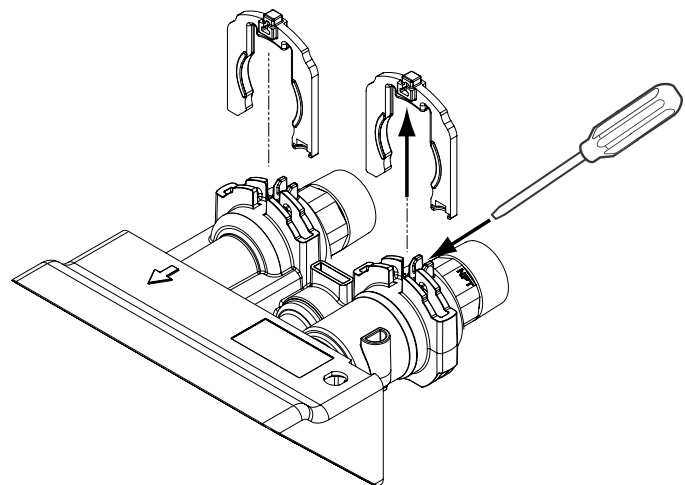


Figure 4 Connector Assembly

Before inserting the connector:

- Check that all O-rings are in place and not damaged.
- O-rings are pre-lubricated. Sliding surfaces should be lubricated with 100% silicone grease.

EQUIPMENT INSTALLATION *CONTINUED*

Firmly insert connector into the valve body. Press locking clip into position. Make certain the clip is fully engaged.

To remove a clip:

1. Turn off water and release water pressure at the valve.
2. Push the water line connectors into the valve body. This will help release O-rings that may have seated in place.
3. Remove the clip by inserting a flat blade under the top center of the clip and lifting (prying up) (Figure 4 Connector Assembly).

⚠ WARNING: Do not use pliers to remove a clip. It is likely the clip will break.

Drain Line Flow Control

The drain line flow control (DLFC) requires assembly (Figures 4 and 5).

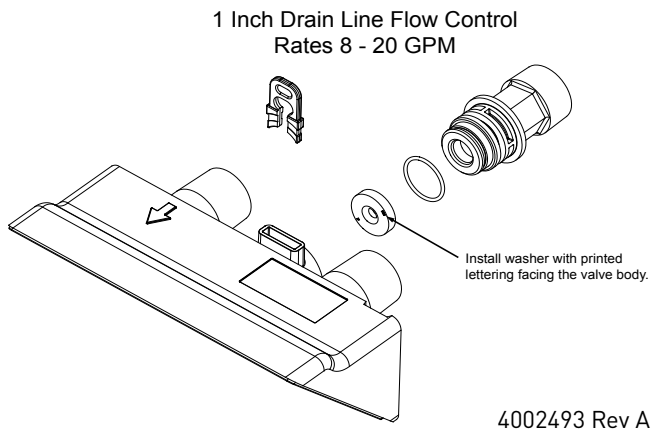


Figure 5 - 1" Drain Line Flow Control

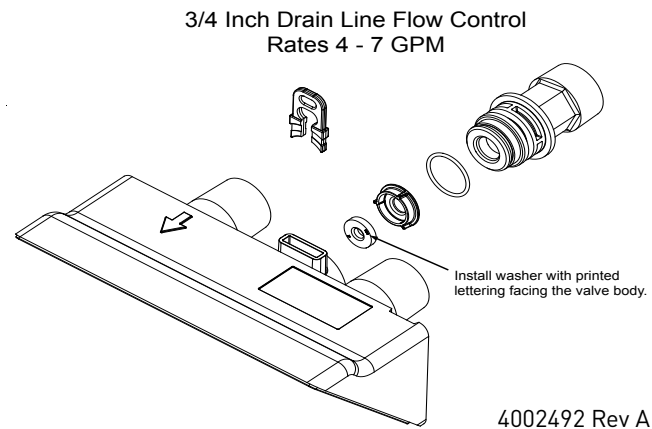


Figure 6 - 3/4" Drain Line Flow Control

Note: Install DLFC washer with printed lettering facing the valve body.

Drain Line Connection

NOTE: Standard commercial practices are expressed here. Local codes may require changes to the following suggestions. Check with local authorities before installing a system.

4. Use appropriate fittings to connect tubing to the DLFC connection on valve.
5. The drain line may be elevated up to 6 feet (1.8 m) providing the run does not exceed 15 feet (4.6 m) and water pressure at the filter is not less than 40 psi (2.76 bar). Elevation can increase by 2 feet (61 cm) for each additional 10 psi (.69 bar) of water pressure at the drain connector.
6. Where the drain line is elevated but empties into a drain below the level of the control valve, form a 7 inch (18 cm) loop at the far end of the line so that the bottom of the loop is level with the drain line connection. This will provide an adequate siphon trap.
7. Secure the discharge end of the drain line to prevent it from moving.

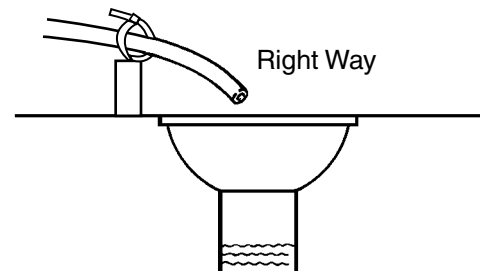


Figure 7 Drain Line Connection

NOTE: Waste connections or drain outlet shall be designed and constructed to provide for connection to the sanitary waste system through an air gap of two pipe diameters or one inch (22 mm), whichever is larger.

⚠ WARNING: Never insert drain line directly into a drain, sewer line, or trap (Figure 7 Drain Line Connection). Always allow an air gap between the drain line and the wastewater to prevent the possibility of sewage being back-siphoned into the filter.

Electrical Connection


⚠ WARNING: This valve and control are for dry location use only unless used with a Listed Class 2 power supply suitable for outdoor use.

The 363 controller operates on 12-volt alternating current power supply. This requires use of the an AC adapter with your system.

Make sure power source matches the rating printed on the AC adapter.

SYSTEM STARTUP

The system will now need to be placed into operation. Please review MANUALLY INITIATING A CLEANING CYCLE on page 7 before attempting startup.

1. With the supply water for the system still turned off, position the bypass valve to the "not in bypass" (normal operation) position.
2. Press and hold the  button on the controller for three seconds. This will initiate a manual cleaning cycle, and cycle the valve to the backwash position.
3. Filling the media tank with water:
 - A. With the system in backwash, open the water supply valve very slowly to approximately the 1/4 open position. Water will begin to enter the media tank. Air will begin to be purged to drain as the media tank fills with water.

⚠ WARNING: If opened too rapidly or too far, media may be lost out of the tank into the valve or the plumbing. In the 1/4 open position, you should hear air slowly escaping from the valve drain line.

- B. When all of the air has been purged from the media tank (water begins to flow steadily from the drain line), open the main supply valve all of the way. This will purge any remaining air from the tank.
- C. Allow water to run to drain until the water runs clear from the drain line. This purges any debris from the media bed.
- D. Turn off the water supply and let the system stand for about five minutes to allow any trapped air to escape from the media tank. Turn on the water supply after five minutes. Check for leaks.

The system is now fully operational.

INSTALLATION CHECKLIST

- ___ Read the owner's/installation manual?
- ___ Follow all safety guidelines in the manual?
- ___ If metal pipe was used, did you restore the electrical ground?
- ___ Securely install drain hose to an approved drain?
- ___ Perform a leak test?
- ___ Move the bypass valve to service?
- ___ Start a cleaning cycle?

CONTROL OPERATION AND LAYOUT

Large LED Display

A large two digit LED readout is highly visible in most installation settings.

Simplified Three-Step Programming

Only three buttons are required to fully program the control.

Recycle Button

Initiates either a delayed or immediate cleaning cycle.

Time Button

Displays or programs the time of day.

Cleaning Cycle Interval Button

Displays or programs the amount of water to treat between cleaning cycles.

Backwash Duration Button

Displays or programs the amount of time to elapse during the backwash cycle step.

Flow Indicator

The decimal point/flow indicator blinks on and off when water flow turns the meter.

Power Loss Memory Retention

The control features battery-free time of day retention during loss of power. The time will remain in memory.

NOTE: All other programmed parameters are stored in the flash memory and are retained during power outages.

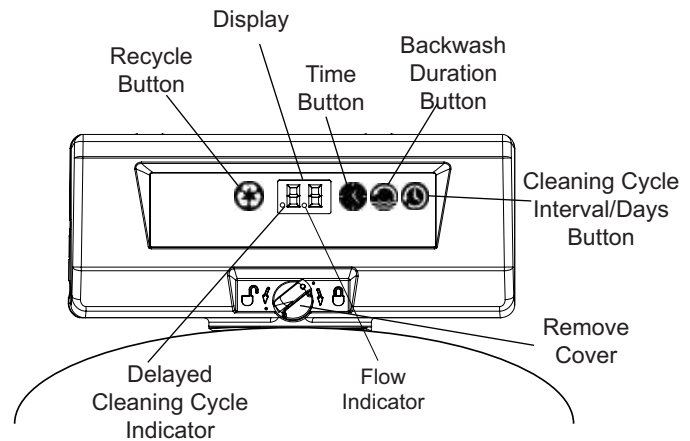


Figure 8

PROGRAMMING THE 606F DEMAND CONTROL

Time of Day: Press to display the current time value in hours. The time value is displayed as a number from 0 to 23, with 0 representing midnight and 23 representing 11:00 PM. While the value is being displayed, press the button to increase the value. Press and hold the button to rapidly advance the value. Release the button when the desired value is displayed. The value will be stored in memory after five seconds.

Range: 0 - 23 hours

NOTE: The elapsed minutes will reset to zero when the hours are changed.

Backwash Duration: Press to display the current backwash cycle step duration setting. The value in minutes will be displayed for five seconds. While the value is being displayed, press the button to increase the value. Press and hold the button to rapidly advance the value. Press and hold the button to rapidly advance the value. Release the button when the desired value is displayed. The value will be stored in memory after five seconds.

Range: 2 - 50 minutes

NOTE: The Rapid Rinse cycle step adjusts automatically based on the Backwash Duration value. See table below.

Backwash Time	Rinse Time
2 - 5 minutes	1 minute
6 - 9 minutes	2 minutes
10 - 13 minutes	3 minutes
14 - 17 minutes	4 minutes
18 - 21 minutes	5 minutes
22 - 25 minutes	6 minutes
26 - 29 minutes	7 minutes
30 - 35 minutes	8 minutes
36 - 40 minutes	9 minutes
41 - 50 minutes	10 minutes

Cleaning Cycle Interval: Press to display the current cleaning cycle interval setting. The value in cubic meters (metric units) or hundreds of gallons (U.S. units) to treat between cleaning cycles will be displayed for five seconds. While the value is being displayed, press the button to increase the value. Press and hold the button to rapidly advance the value. Press and hold the button to rapidly advance the value. Release the button when the desired value is displayed. The value will be stored in memory after five seconds.

Range: .4 - 9.5 cubic meters
100 - 4,000 gallons

Default: 1.0 cubic meters
10 x100 (1,000) gallons

Calendar Override: To set a time duration between cleaning cycles to ensure proper function of the filter in the event of a flow sensor malfunction, press and hold and for three seconds. The value in days between cleaning cycles will be displayed for five seconds. While the value is being displayed, press the button to increase the value. Press and hold the button to rapidly advance the value. Release the button when the desired value is displayed. The value will be stored in memory after five seconds.

Range: 8 hours (0.3 days) - 30 days; 0 to disable

Default: 0 (disabled)

Accessing History Values

The control features a review level that displays the operation history of the system. This is a great troubleshooting tool for the control valve.

To access history values, press and simultaneously and hold for three seconds to view the diagnostic codes.

NOTE: If a button is not pushed for 30 seconds the controller will exit the history values table.

Press to advance through the table. When the desired diagnostic code is reached, Press to display the value.

Some history values may have up to four digits. Press to display the first two digits of the value. Press to display the last two digits.

Code	Description
H1	Days since last cleaning cycle
H2	Current day of week (displayed as 0 - 6)
H3	Water used today since 1:00 AM
H4	Water used since last cleaning cycle
A0	Average water usage for day 0
A1	Average water usage for day 1
A2	Average water usage for day 2
A3	Average water usage for day 3
A4	Average water usage for day 4
A5	Average water usage for day 5
A6	Average water usage for day 6

Manually Initiating A Cleaning Cycle

Delayed Cleaning Cycle

Press and release to program a delayed cleaning cycle. The system will regenerate at the next cleaning cycle time (1:00 AM). Repeat procedure to disable the scheduled cleaning cycle. The display indicator dot blinks when a delayed cleaning cycle is scheduled.

Immediate Cleaning Cycle


Press and hold the for three seconds to initiate an immediate cleaning cycle. The control cycles to the backwash cycle step. The control will proceed through a complete cleaning cycle. A cascading symbol (- -) will be displayed until the cycle is complete.




PROGRAMMING THE 606F DEMAND

CONTROL *CONTINUED*


Quick Cycling The Control

Quick Cycling



Press and hold  for three seconds to initiate an immediate cleaning cycle. The control will cycle to the backwash cycle step.

1. Press and release  to display "C1" (backwash).
2. Simultaneously press then release  and  to move the control to the next cycle step, "C2" (rinse).

NOTE: The time may be displayed for 5 seconds.

3. During a cycle step, press and release  to toggle between "- -" and "C#".
4. Repeat steps 2 and 3 to cycle through each position.

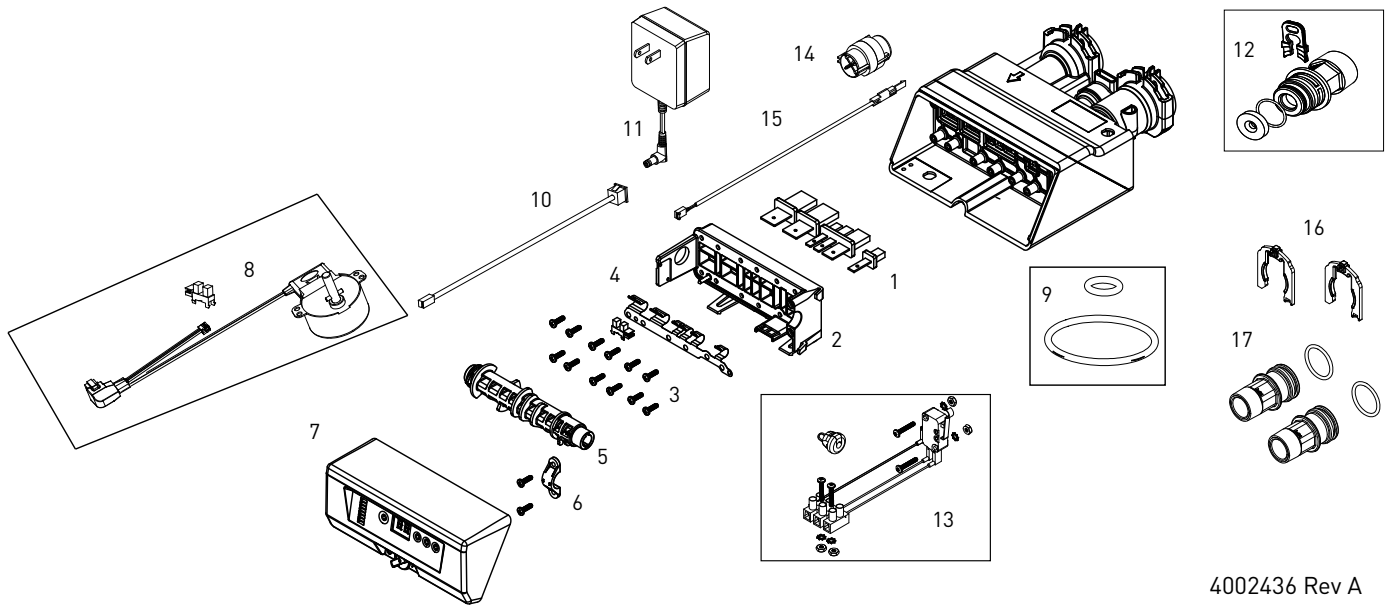
Quick Cycle to Service Position

Simultaneously press  and  and hold for three seconds during any cleaning cycle step. The control will skip the remaining cycle steps and return to the service position. The time of day will be displayed when the control reaches the service position.

AUXILIARY SWITCH

An optional auxiliary switch kit (P/N 4002757) is available for the 363 demand valve to control an auxiliary switch when a cleaning cycle is initiated.

VALVE ASSEMBLY



4002436 Rev A

Item No.	QTY	Part No.	Description	Item No.	QTY	Part No.	Description
1	1	4002555	Kit, Valve Discs, 360 Series Filter	13	1	4002757	Kit, Auxiliary Switch, 363 Filter
2	1	4002211	Top Plate, 360 Series Filter	14	1	1033444	Meter Assembly
3	14	1234170	Screw, Pan Head, #8-18 x 9-16 LG	15	1	3027837	Meter Cable
4	1	4002213	Spring, One Piece	16	2	40576	Clip, H, Plastic, 7000
5	1	4002212	Cam, 3 Cycle, 360 Series Filter	17	2		Kit, Connector (includes one connector and one O-ring)
6	1	1000589	Cap, Pillow Block			42414-11	Connector, 3/4" BSP, Plastic
7	1		Control Assemblies			42414-01	Connector, 3/4" NPT, Plastic
		4002658	Control Assembly, 363/606F, North American			61626	Connector, 3/4" & 1" Sweat
		4002659	Control Assembly, 363/606F, World			61561-10	Connector, 1" BSP, Brass
8	1	4001260	12 Volt Motor Assembly w/ Optical Sensor			40563-11	Connector, 1" BSP, Plastic
9	1	4001889	Valve O-ring Kit			61561	Connector, 1" NPT, Brass
10	1	3022576	Transformer Cable			40563-01	Connector, 1" NPT, Plastic
11	1		AC Wall Mount Adapters			40565-11	Connector, 1-1/4" BSP, Plastic
		1000811	North American Wall Trans - 115VAC			40565-01	Connector, 1-1/4" NPT, Plastic
		1000812	Australian Wall Trans - 240V			61562-10	Connector, 1-1/2" BSP, Brass
		1000813	British Wall Trans - 240 V			42241-11	Connector, 1-1/2" BSP, Plastic
		1262524	Europe Cord Connect Trans - 240V			61562	Connector, 1-1/2" NPT, Brass
		1000814	Europe Wall Trans - 240V			42241-01	Connector, 1-1/2" NPT, Plastic
		1000810	Japan Wall Trans - 100V			41242-01	Connector, 1" & 1-1/4", Sweat
12	1		Drain Line Flow Control			41243-01	Connector, 1-1/4" & 1-1/2" Sweat
		4002459	Kit, DLFC, 4.0GPM, NPT, 360, Fltr				
		4002460	Kit, DLFC, 4.5GPM, NPT, 360, Fltr				
		4002461	Kit, DLFC, 5.0GPM, NPT, 360, Fltr				
		4002462	Kit, DLFC, 6.0GPM, NPT, 360, Fltr				
		4002463	Kit, DLFC, 7.0GPM, NPT, 360, Fltr				
		4002464	Kit, DLFC, 8.0GPM, NPT, 360, Fltr				
		4002465	Kit, DLFC, 9.0GPM, NPT, 360, Fltr				
		4002466	Kit, DLFC, 10GPM, NPT, 360, Fltr				
		4002467	Kit, DLFC, 12GPM, NPT, 360, Fltr				
		4002468	Kit, DLFC, 15GPM, NPT, 360, Fltr				
		4002469	Kit, DLFC, 20GPM, NPT, 360, Fltr				
		4002476	Kit, DLFC, 4.0GPM, BSP, 360, Fltr				
		4002477	Kit, DLFC, 4.5GPM, BSP, 360, Fltr				
		4002478	Kit, DLFC, 5.0GPM, BSP, 360, Fltr				
		4002479	Kit, DLFC, 6.0GPM, BSP, 360, Fltr				
		4002480	Kit, DLFC, 7.0GPM, BSP, 360, Fltr				
		4002481	Kit, DLFC, 8.0GPM, BSP, 360, Fltr				
		4002482	Kit, DLFC, 9.0GPM, BSP, 360, Fltr				
		4002483	Kit, DLFC, 10GPM, BSP, 360, Fltr				
		4002484	Kit, DLFC, 12GPM, BSP, 360, Fltr				
		4002485	Kit, DLFC, 15GPM, BSP, 360, Fltr				
		4002486	Kit, DLFC, 20GPM, BSP, 360, Fltr				

TROUBLESHOOTING

Control Error Codes



Problem	Possible Cause	Solution
E1 is displayed.	Program settings have been corrupted.	Press any key. Reprogram control. If E1 does not clear, replace control.
E3 is displayed.	Control does not detect the camshaft position and is returning to the service position.	Wait until the control returns to the service position.
	Camshaft is not turning during E3 display.	Check that motor is connected. Verify that the motor wire harness is connected to motor and controller module. Verify that optical sensor is connected and in place. Verify that motor gear has engaged the camshaft. If everything is connected, replace components in this order: 1. Motor Assembly, Optical Sensor 2. Control
	Camshaft is turning more than five minutes to find Home position:	Verify that optical sensor is in place and connected to wire. Inspect for debris in the camshaft slots. If motor continues to rotate indefinitely, replace the following components in this order: 1. Motor Assembly, Optical Sensor 2. Control

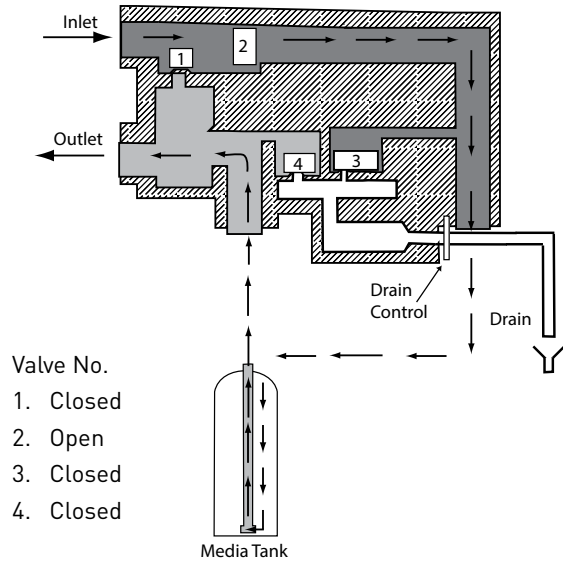
System

Problem	Possible Cause	Solution
Flowing or dripping water at drain after cleaning cycle.	Debris is preventing #3 or #4 valve disc from closing.	Remove debris.
	Worn #3 or #4 valve disc.	Replace valve discs.
Control will not complete a cleaning cycle automatically.	AC adapter or motor not connected.	Connect power.
	Debris is preventing camshaft from rotating.	Remove debris.
	Defective motor.	Replace motor.
	Meter clogged with debris.	Remove and clean meter.
Backwashes or purges at excessively low or high rate.	No drain line flow control.	Install drain line flow control.
	Restricted drain line.	Remove restriction.
Flow indicator on control does not display service flow.	Bypass system in bypass position.	Remove bypass system from bypass.
	Meter cable dislodged from valve.	Fully insert meter cable into valve.
	Meter clogged with debris.	Remove and clean meter.



FLOW DIAGRAMS

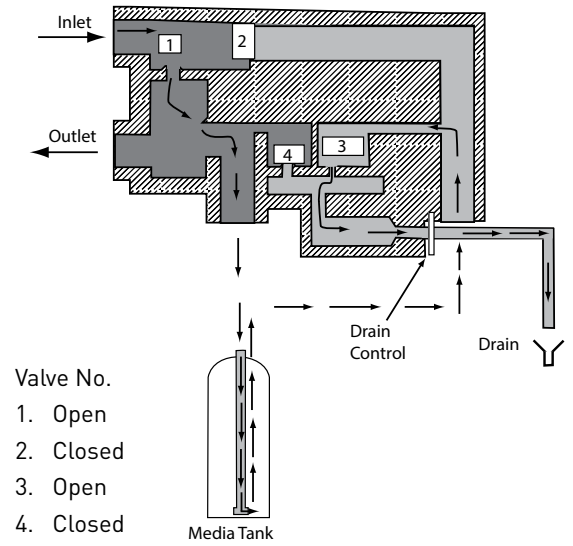
SERVICE

-  Untreated Water
-  Treated Water





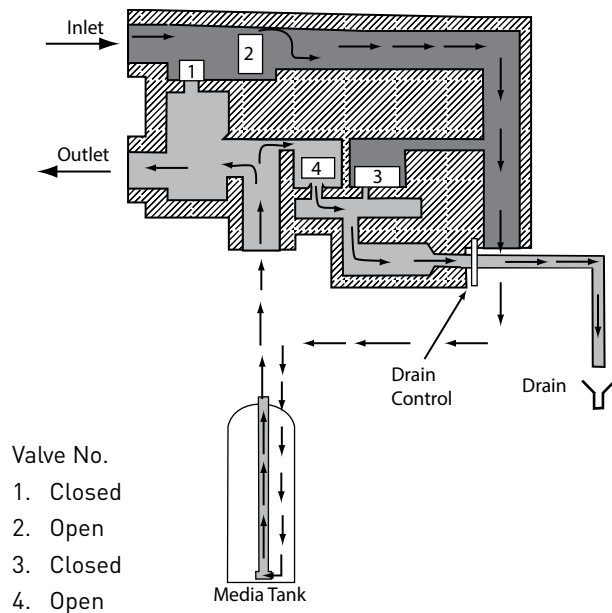
BACKWASH

-  Untreated Water
-  Backwash

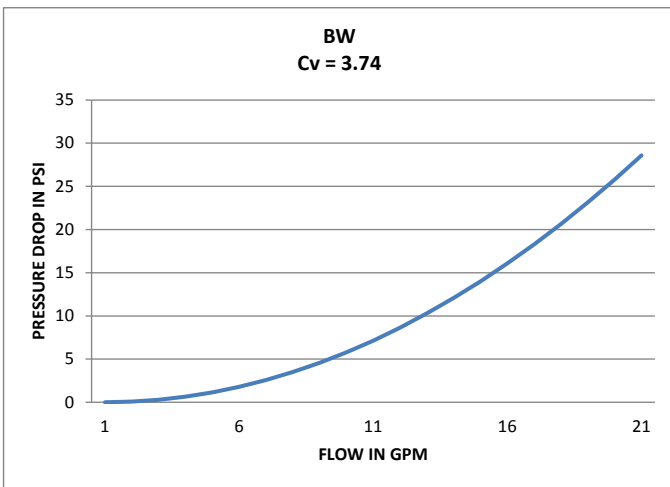
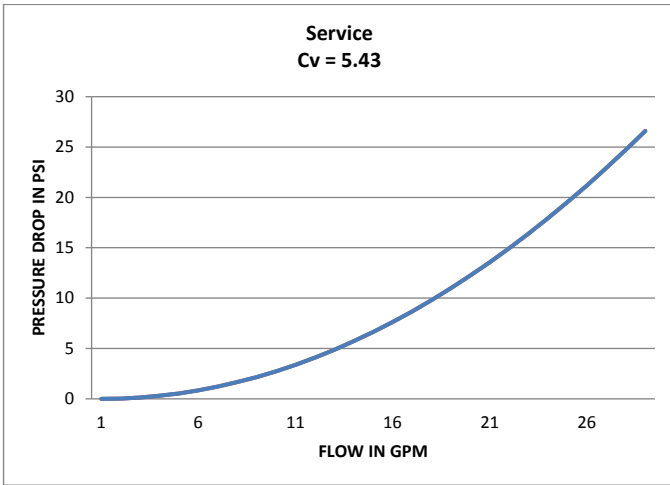


FAST RINSE

-  Untreated Water
-  Rinse



FLOW PERFORMANCE DATA CHARTS



For Autotrol® Product Warranties visit: }
Autotrol® para las garantías de los productos visite: } www.pentairqua.com/pro
Pour Autotrol® garanties produit visitez le site : }



FILTRATION & PROCESS

5730 NORTH GLEN PARK ROAD, MILWAUKEE, WI 53209

P: 262.238.4400 | www.pentairqua.com | 800.279.9404 | F: 262.518.4404 | tech-support@pentair.com

All Pentair trademarks and logos are owned by Pentair, Inc. All other brand or product names are trademarks or registered marks of their respective owners. Because we are continuously improving our products and services, Pentair reserves the right to change specifications without prior notice.

Pentair is an equal opportunity employer.

4002752 Rev A FE14 ©2014 Pentair Residential Filtration, LLC All Rights Reserved.